

PLEASE CHECK WWW.MOLEX.COM FOR LATEST PART INFORMATION

Part Number: [0907793002](#)
Status: **Active**
Description: 1.27mm (.050") Pitch Picoflex® PF-50 Header, Vertical, Low Profile, High Temperature Surface Mount Compatible, 6 Circuits, Glow Wire Compatible

Documents:

[3D Model](#) [Product Specification PS-99020-0011 \(PDF\)](#)
[Drawing \(PDF\)](#) [RoHS Certificate of Compliance \(PDF\)](#)

General

Product Family PCB Headers
 Series [90779](#)
 Application Wire-to-Board
 Application Tooling Part Link 690081070
 Product Name Picoflex®

Physical

Breakaway No
 Circuits (Loaded) 6
 Color - Resin Natural
 Durability (mating cycles max) 100
 First Mate / Last Break No
 Glow-Wire Compliant Yes
 Guide to Mating Part No
 Keying to Mating Part None
 Lock to Mating Part Yes
 Material - Metal Brass
 Material - Plating Mating Gold
 Material - Resin High Temperature Thermoplastic
 Number of Rows 1
 Orientation Vertical
 PCB Retention Yes
 PCB Thickness Recommended (in) 0.062 In
 PCB Thickness Recommended (mm) 1.60 mm
 Packaging Type Bag
 Pitch - Mating Interface (in) 0.050 In
 Pitch - Mating Interface (mm) 1.27 mm
 Plating min: Mating (µin) 30.4
 Plating min: Mating (µm) 0.76
 Plating min: Termination (µin) 120
 Plating min: Termination (µm) 3
 Polarized to Mating Part Yes
 Polarized to PCB Yes
 Shrouded No
 Stackable No
 Surface Mount Compatible (SMC) Yes
 Temperature Range - Operating -40°C to +105°C
 Termination Interface: Style Through Hole

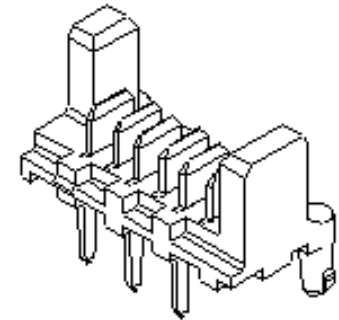
Electrical

Current - Maximum per Contact 1.2A
 Voltage - Maximum 250V

Solder Process Data

Lead-free Process Capability Wave Capable (TH only)

Material Info



Series
image - Reference only

EU RoHS

ELV and RoHS Compliant
REACH SVHC Contains SVHC: No
Halogen-Free Status

China RoHS



Need more information on product environmental compliance?

Email productcompliance@molex.com
 For a multiple part number RoHS Certificate of Compliance, [click here](#)

Please visit the [Contact Us](#) section for any non-product compliance questions.

Search Parts in this Series

[90779Series](#)

Mates With

[90327 IDT Connector](#)

Application Tooling | FAQ

Tooling specifications and manuals are found by selecting the products below. Crimp Height Specifications are then contained in the Application Tooling Specification document.

Global

Description	Product #
Extraction Tool (Plastic) for 90327 Connector, 4-26 Circuit	0690081070

Reference - Drawing Numbers

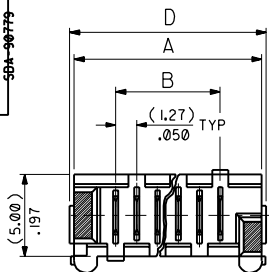
Product Specification

PS-99020-0011

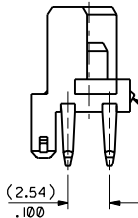
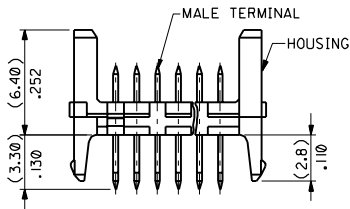
This document was generated on 04/23/2010

PLEASE CHECK WWW.MOLEX.COM FOR LATEST PART INFORMATION

PART NO.	NO. OF CKTS	DIMN. A	DIMN. B	DIMN. C	DIM. D	NO. ASSYS IN TUBE
90779-**-10	20	(29.18)/.149	(24.13)/.950	(27.73)/.1092	(29.64)/.1167	18
-**-08	18	(26.64)/.1049	(21.59)/.850	(25.19)/.992	(27.10)/.1067	19
-**-07	16	(24.10)/.949	(19.05)/.750	(22.65)/.892	(24.56)/.967	21
-**-06	14	(21.56)/.849	(16.51)/.650	(20.11)/.792	(22.02)/.867	24
-**-05	12	(19.02)/.749	(13.97)/.550	(17.57)/.692	(19.48)/.767	27
-**-04	10	(16.48)/.649	(11.43)/.450	(15.03)/.592	(16.94)/.667	31
-**-03	8	(13.94)/.549	(8.89)/.350	(12.49)/.492	(14.40)/.567	36
-**-02	6	(11.40)/.449	(6.35)/.250	(9.95)/.392	(11.86)/.467	44
90779-**-01	4	(8.86)/.349	(3.81)/.150	(7.41)/.292	(9.32)/.367	56

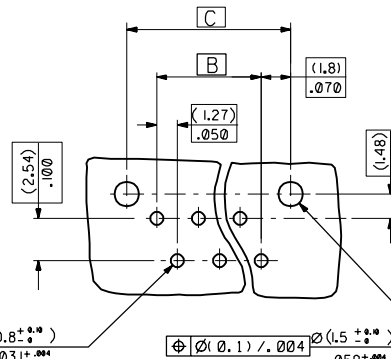


SHADED AREA DENOTES POSITION OF COLOUR CODED HOT STAMP
MOULD BASE COLOUR: NATURAL



LATCH FOR FEMALE CONNECTOR

PCB LAYOUT FROM SOLDER SIDE.
BOARD (1.60 ± 0.14) THK
.063 ± .006 THK.



- 90779-***
- 0= 4-6µm TIN ASSY
 - 2= 0.38µm GOLD ASSY
 - 3= 0.76µm GOLD ASSY
 - 7= 0.76µm GOLD, TUBED
 - 8= 0.38µm GOLD, TUBED
 - 9= 4-6µm TIN ASSY TUBED
- CIRCUIT Ø4 TO 20
- COLOUR
- Ø NONE
 - 2 RED
 - 4 BLUE
 - 1 GREEN
 - 3 WHITE
 - 5 YELLOW

NOTES:

- HOUSING MATL. NYLON 46, 30% GLASS FILLED TO UL 94 V-0, NATURAL.
- TERMINAL MATL. BRASS (0.28)/.011 THK PLATING. TIN: (1.27µm)/500µ MIN NICKEL UNDER (4-6µm)/160-240µ 90/10 TIN LEAD PLATING. GOLD: (1.27µm)/500µ MIN. NICKEL UNDER (3-5µm)/120-200µ TIN LEAD SELECTIVE AND (0.38µm)/15µ OR (0.76µm)/30µ SELECTIVE GOLD
- APPL. CLASS TO DIN 40040 HME (-25°C/+100°C)
- PIN PUSH FORCE MIN 7N
- TEST VOLTAGE: 750 V.A.C./1 MIN
- COMPATIBLE WITH MOLEX PT 90327

FOR PREVIOUS DRAWING ISSUES SEE MRL.

ADDED SHEET 2	DRWG BY	GBG
EC000-0520	CHK'D BY	
TRACOR 0520	APPRO'D BY	
REVISIONS	SCALE	5:1
LTR	DIMENSIONS SHOWN (METRIC) INCH	
	UNLESS OTHERWISE SPECIFIED TOLERANCES: ANGULAR ± 5°	
	INCH (METRIC)	
	3 PLACE ± .000	
	2 PLACE ± .000	± 0.20
	1 PLACE	± 0.20
	DRAFT WHERE APPLICABLE MUST REMAIN WITHIN DIMENSIONS	
	DESIGN DIMENSION	<input type="checkbox"/> (MM)
	(PRIMARY)	<input type="checkbox"/> IN.
	EQUIVALENT DIMENSION	<input type="checkbox"/> (MM)
	(SECONDARY)	<input type="checkbox"/> IN.

REVISE ONLY ON CAD SYSTEM		SHL	REV.
CAD/CM FILENAME		THIS DRAWING CONTAINS INFORMATION THAT IS PROPRIETARY TO MOLEX INC. & SHOULD NOT BE USED WITHOUT WRITTEN PERMISSION	
SAB9779X.D01			
TITLE			
HEADER ASSEMBLY			
MOLEX EUROPE		SHEET NO.	DATE
SEE CHART		10F2	92/08/21
PART NO.	DRG. NO.	SIZE	
SDA-90779		B	